

SHIELD

High-Pressure



SHIELD PRESSURE CONTROL®

ROTATING CONTROL DEVICE



ADS Services rotating control devices have been designed to help operators overcome the challenges of drilling in extreme environments with confidence.

From the seal element geometry to the housing material selection, all components of the SHIELD High-Pressure RCD's ensure the safety of the rig crew by creating a leak free seal between the annulus and the drill pipe. The seal allows the operator to safely divert fluid returns during drilling and stripping operations.

The bearing design and internal dynamic seals extend the life of the sealing element(s) allowing for fewer bearing assembly change outs therefore reducing Non-Productive Time (NPT)

The clamp-less hydraulic latching mechanism allows for quick bearing assembly installation and also removes the requirement for rig personnel in hazardous zones.

TECHNICAL OVERVIEW:

- API 16 RCD Certified
- Static rating: 3000 psi
- Dynamic rating: 1500 psi
- Accurate bearing pre-load for extended life
- Floating dynamic seals, long service life
- Sealed bearing
- Rotation Speeds up to 220 RPM

APPLICATIONS:

- Managed Pressure Drilling
- Underbalanced Drilling

OPTIONS AND ACCESSORIES:

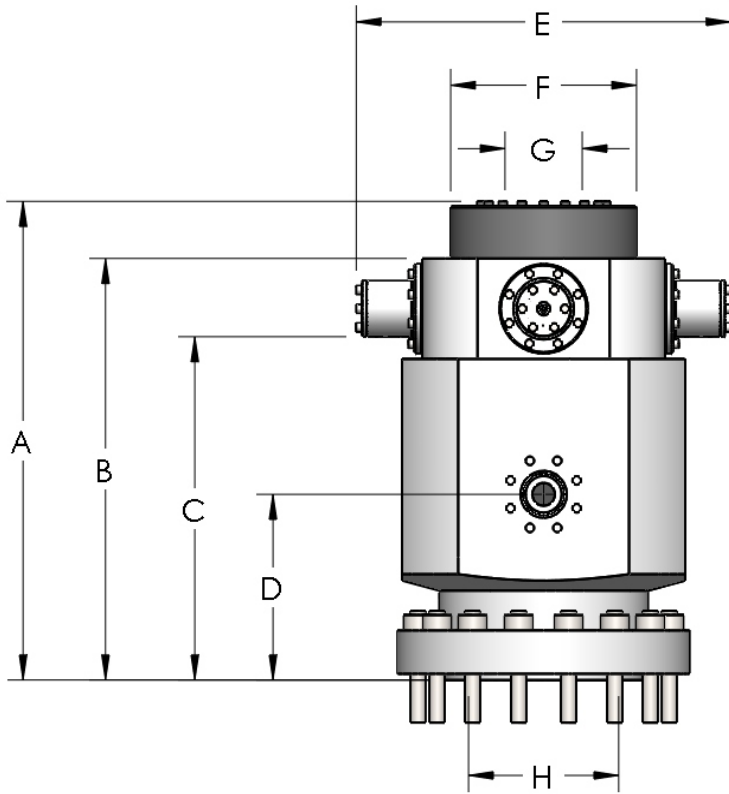
- Swivel Flange Connection
- Single Element
- Element Material
- Rubber, NBR, HNBR, Urethane
- Fourth Studded Outlet
- Logging Adaptors
- Drill Nipple
- Casing Stripper



ADS Services LLC
10712 WCR 77
Midland TX 79707
(432) 218-4700
www.adsmpd.com

SHIELD High-Pressure

ROTATING CONTROL DEVICE



L1330 Dimensions (in.)	
A	40.00
B	36.73
C	29.25
D	16.63
E	33.53
F	16.88
G	7.00
H	13.63
Weight	4,000 lbs

Model No.	Bottom Flange (in. x psi)	Elements	Outlets (in. x psi)	Static Pressure (psi)	Dynamic Pressure (psi)	Max RPM
L-1330	13-5/8 x 3M 13-5/8 x 5M	Single	(1) 2-1/16 x 5M (1) 4-1/16 x 5M (1) 7-1/16 x 5M	3000	1500	220



ADS Services LLC
 10712 WCR 77
 Midland, TX 79707
 (432) 218-4700
www.adsmpd.com