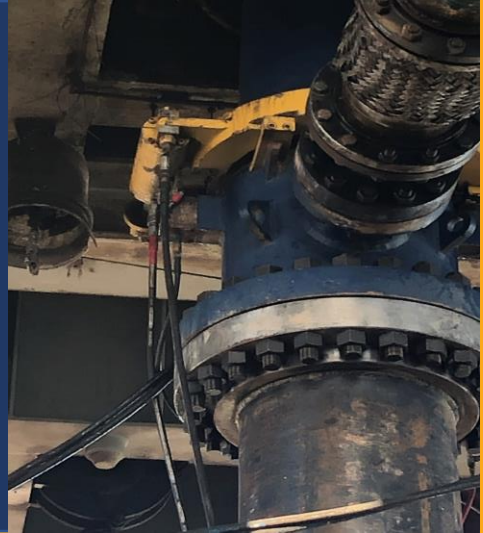


# SHIELD 20" RCD



SHIELD PRESSURE CONTROL®

## ROTATING CONTROL DEVICE



ADS Services Rotating Control Devices have been designed to help Operators overcome the challenges of drilling in extreme environments with confidence.

The Twenty-Inch Rotating Control Device is a proven design tested under field conditions delivering promising results.

All components of the SHIELD Twenty-Inch RCD's ensure the safety of the rig crew by creating a leak free seal between the Annulus and the Drill Pipe. This seal allows for the Operator to safely divert fluid returns during Drilling and Stripping Operations.

The Bearing design and internal dynamic seals extend the life of the sealing element(s) allowing for fewer Bearing Assembly change outs therefore reducing Non-Productive Time (NPT).

The Dual Actuated & Dual Segment Clamp with mechanism with the Latch Actuator allows for a quick Bearing Assembly installation. The Clamp Actuating Piston is remotely operated and removes the requirement for rig personnel to be in hazardous zones.

### TECHNICAL OVERVIEW:

- Built to API standards
- 500 psi Dynamic Pressure Rating
- 750 psi Static Pressure Rating
- Sealed Bearing
- Rotation speeds up to 200 RPM
- Remote operated Clamp with Latch Actuator
- 21 1/4" 2000 psi Lower Flange
- 7 1/16" x 3000 psi Side Outlet Flange

### APPLICATIONS:

- Drilling Safely with a Closed System

### OPTIONS AND ACCESSORIES:

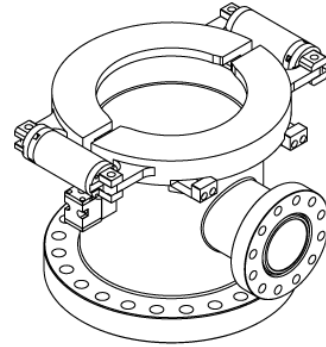
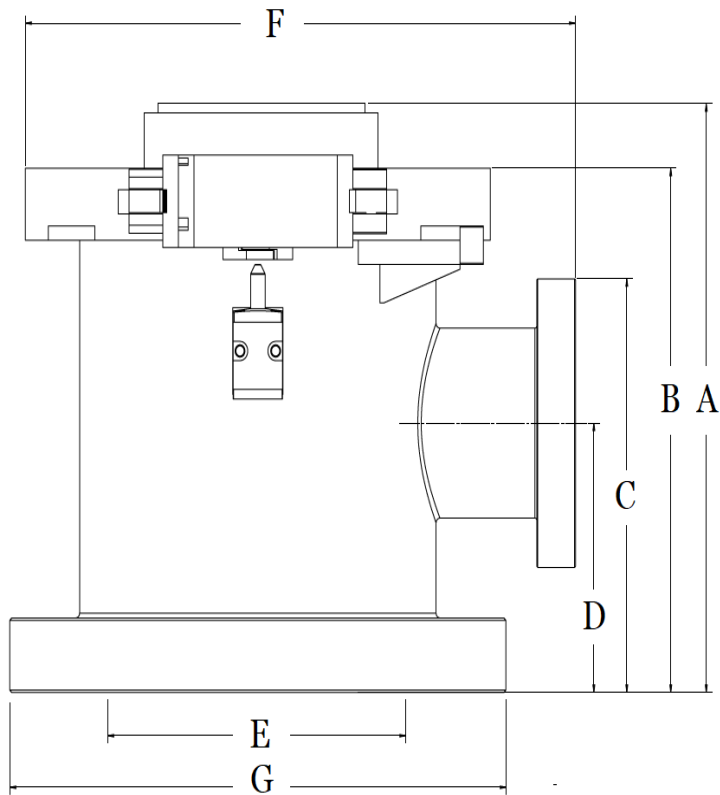
- Extensions below Lower Flange
- Single Element materials;  
NBR, Urethane
- 2 inch inlet for equalization
- Drill Nipple



ADS Services  
10712 WCR 77  
Midland TX, 79707  
(432) 218-4700  
[www.adsmgd.com](http://www.adsmgd.com)

# SHIELD 20" RCD

ROTATING CONTROL DEVICE



A	31"
B	27 $\frac{1}{4}$ "
C	21 $\frac{1}{2}$ "
D	14"
E	19 $\frac{3}{4}$ "
F	35 $\frac{1}{2}$ "
G	32"
Weight	1,924 lb's
Bearing with Element	690 lb's



ADS Services LLC  
10712 WCR 77  
Midland TX, 79707  
(432) 218-4700  
[www.adsmpr.com](http://www.adsmpr.com)